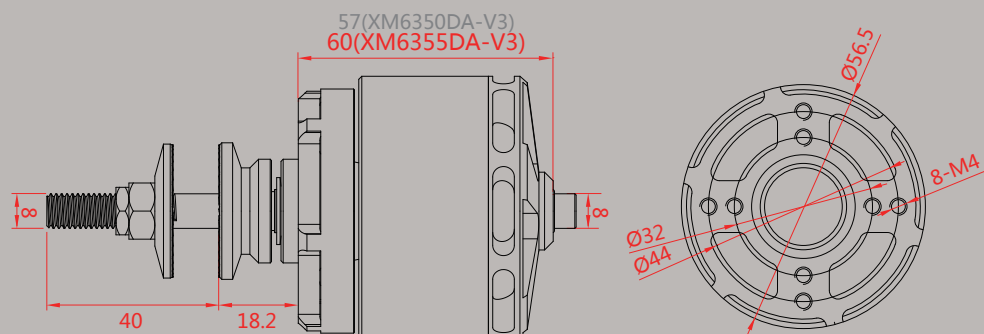


XM6355DA-V3



Specification

3rd Generation DA Series for F3A competition	XM6355DA-12	XM6355DA-13	XM6355DA-14.5
Item NO. (商品编码)	57606	57812	51527
RPM/V (KV) (KV值)	220	200	180
Weight w/o accessories(g) (重量)	590	590	590
Diameter(mm) (直径)	63.0	63.0	63.0
Length (mm) (长度)	60.0	60.0	59.0
Length w/ propeller adapter (mm) (螺旋桨配置长度)	77.5	77.5	77.5
Diameter of Shaft(mm) (轴径)	8	8	8
Slots,Poles (极数)	12N14P	12N14P	12N14P
Motor mounting holes [Pitch, Size] (mm) (马达安装孔距)	(A)32mm, 4-M4 (B)44mm, 4-M4	(A)32mm, 4-M4 (B)44mm, 4-M4	(A)32mm, 4-M4 (B)44mm, 4-M4
Idle Current(Io) @10V(A) (空载电流)	1.0	0.8	0.7
Resistance(Ri)(mOhm) (电阻)	26	32	39
Nominal Voltage(V) (额定电压)	30-42V, 10S Lipo	30-42V, 10S Lipo	44.4V, 12S Lipo
Bursts current(A)[15s] (最大电流)	101	93	82.6
Peak power(W)[15s] (峰值功率)	3700	3430	3670
Cruising power(W)[30 mins] (巡航功率)	2050	1890	2020
Input connector (输入连接器)	4mm GC	4mm GC	4mm GC
Recommended ESC (调速器)	XC10036HV V2 w/ firmware build V3.02	XC10036HV V2 w/ firmware build V3.02	XC10036HV V2 w/ firmware build V3.02
Propeller (螺旋桨配置)	CF 21x13, APC 20.5x12WE	CF 21x14, APC 22x10E	CF 21x13E, 22x10E
One piece steel shaft (一根钢轴)	Yes	Yes	Yes
Propeller adapters (螺旋桨适配器)	Yes (w/ dual nut)	Yes (w/ dual nut)	Yes (w/ dual nut)
Centrifugal fan (离心式风扇设计)	Yes	Yes	Yes
Dynamic balanced rotor (转子动平衡)	Yes (two-sided)	Yes (two-sided)	Yes (two-sided)
Heavy duty design (大负载设计)	Yes	Yes	Yes
Water & dust proof (防水防尘)	Yes (IP34)	Yes (IP34)	Yes (IP34)
Lightened Design (轻量化)	Yes	Yes	Yes
Rear support point (后部支撑点)	Yes (D8x5mm)	Yes (D8x5mm)	Yes (D8x5mm)
Maintenance free (免维护)	Yes	Yes	Yes
Maximum weight of F3A/Freestyle airplane(kg) (最大F3A/其他飞机重)	6.4	5.9	6.3
Maximum weight of UAV airplane(kg) (最大无人机重量)	9.6	8.9	9.5
Applications (应用)	Proved technology for both F3A and up to 78" freestyle airplane	Proved technology, lower power consuming	Proved technology, high efficiency

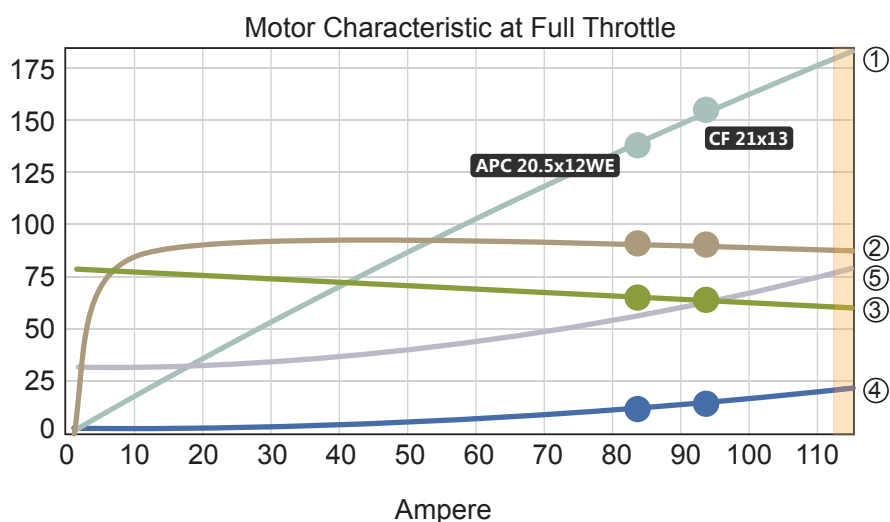
XM6355DA (220KV)

Motor @ Optimum Efficiency

最佳效率

Current(电流):	40.68A
Voltage(电压):	35.2V
Revolutions(转速):	7251rpm
Electric Power(输入功率):	1432W
Mech. Power(输出功率):	1335.4W
Efficiency(效率):	93.3%

- ① el. Power [in 20W]
- ② Efficiency [%]
- ③ max. Revolutions [in 100rpm]
- ④ waste Power [W]
- ⑤ Motor Case Temp. [°C]
- Motor Case Temp. overlimit [°C]



Voltage (V)	Propeller	Propeller (RPM)	Throttle (%)	Current (DC) (A)	Volage (DC) (V)	el. Power (W)	Efficiency (%)	Thrust (g)	Spec. Thrust (g/W)
37V (10S LIPO)	CF 21x13	1200	16	0.7	37	24.9	75.9	466	18.7
		1600	21	1.5	36.9	53.7	83.5	829	15.5
		2000	26	2.7	36.9	100.1	87.5	1296	12.9
		2400	32	4.6	36.8	168.9	89.6	1866	11
		2800	37	7.2	36.7	264.8	90.7	2540	9.6
		3200	43	10.8	36.5	392.7	91.3	3317	8.4
		3600	49	15.4	36.4	557.6	91.6	4198	7.5
		4000	55	21.3	36.1	764.6	91.6	5183	6.8
		4400	62	28.6	35.8	1018.8	91.5	6272	6.2
		4800	68	37.6	35.4	1325.6	91.3	7464	5.6
	5200	76	48.6	35	1690.2	91.1	8759	5.2	
	5600	83	61.9	34.4	2118.1	90.7	10159	4.8	
	6000	92	78	33.7	2615	90.4	11662	4.5	
	6372	100	96.2	33	3149.9	90	13153	4.2	
	APC 20.5x12WE	1500	19	1	37	38.7	80	626	16.2
		2000	26	2.3	36.9	85.1	86.3	1113	13.1
		2500	33	4.4	36.8	160.4	89.4	1739	10.8
		3000	40	7.5	36.7	272.5	90.9	2504	9.2
		3500	47	11.8	36.5	429.2	91.6	3408	7.9
		4000	55	17.7	36.3	638.6	92	4451	7
4500		62	25.4	35.9	908.8	92	5633	6.2	
5000		71	35.3	35.5	1248.2	91.9	6954	5.6	
5500		79	47.8	35	1665.4	91.7	8415	5.1	
6000		89	63.5	34.3	2169	91.4	10014	4.6	
6500	99	83.1	33.5	2768.1	91	11753	4.2		
6545	100	85.3	33.4	2832.8	90.9	11918	4.2		

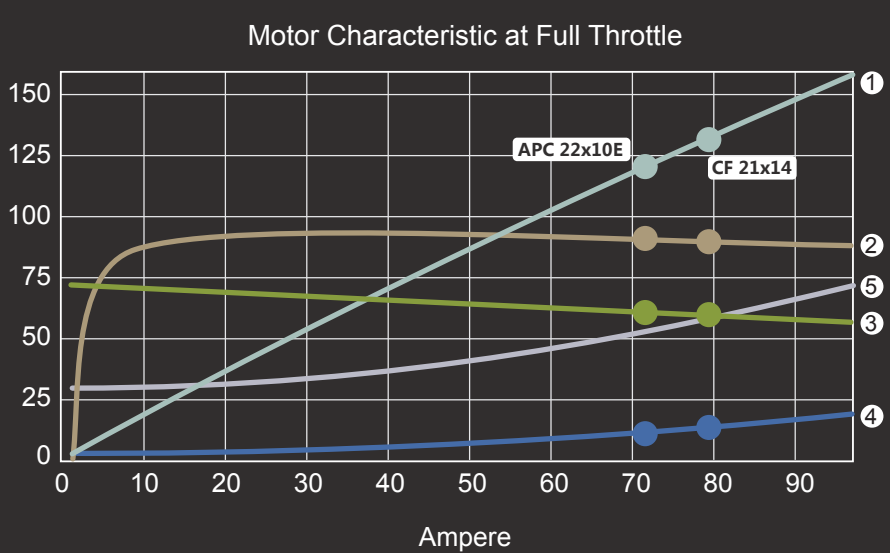
XM6355DA (200KV)

Motor @ Optimum Efficiency

最佳效率

Current(电流):	32.13A
Voltage(电压):	35.58V
Revolutions(转速):	6672rpm
Electric Power(输入功率):	1143.2W
Mech. Power(输出功率):	1068.8W
Efficiency(效率):	93.5%

- ① el. Power [in 20W]
- ② Efficiency [%]
- ③ max. Revolutions [in 100rpm]
- ④ waste Power [W]
- ⑤ Motor Case Temp. [°C]
- Motor Case Temp. overlimit [°C]



Voltage (V)	Propeller	Propeller (RPM)	Throttle (%)	Current (DC) (A)	Volage (DC) (V)	el. Power (W)	Efficiency (%)	Thrust (g)	Spec. Thrust (g/W)
37V (10S LIPO)	CF 21x14	1200	17	0.7	37	25.8	78.9	502	19.5
		1600	23	1.5	36.9	56.4	85.6	893	15.8
		2000	29	2.9	36.9	106.2	88.8	1395	13.1
		2400	35	4.9	36.8	180.1	90.5	2009	11.2
		2800	41	7.8	36.7	283.5	91.3	2735	9.6
		3200	48	11.6	36.5	421.5	91.6	3572	8.5
		3600	54	16.6	36.3	599.7	91.7	4521	7.5
		4000	61	22.9	36	823.6	91.6	5582	6.8
		4400	68	30.9	35.7	1098.8	91.4	6754	6.1
		4800	76	40.7	35.3	1431.2	91.1	8038	5.6
	5200	84	52.8	34.8	1826.6	90.7	9433	5.2	
	5600	93	67.4	34.2	2291.1	90.3	10940	4.8	
	5906	100	80.8	33.6	2701	90	12169	4.5	
	APC 22x10E	1600	23	1.3	36.9	49.3	84.2	733	14.9
		2000	29	2.5	36.9	92.1	88	1146	12.4
		2400	35	4.2	36.8	155.6	90.1	1650	10.6
		2800	41	6.7	36.7	244.1	91.2	2246	9.2
		3200	47	9.9	36.6	362.2	91.7	2934	8.1
		3600	54	14.2	36.4	514.3	92	3713	7.2
		4000	60	19.6	36.2	705.2	92	4584	6.5
4400		67	26.3	35.9	939.6	91.9	5547	5.9	
4800		75	34.5	35.6	1222.3	91.8	6601	5.4	
5200		82	44.5	35.1	1558.2	91.5	7747	5	
5600	90	56.7	34.6	1952.3	91.2	8985	4.6		
6000	99	71.2	34	2409.8	90.9	10314	4.3		
6034	100	72.7	33.9	2455.5	90.8	10432	4.2		