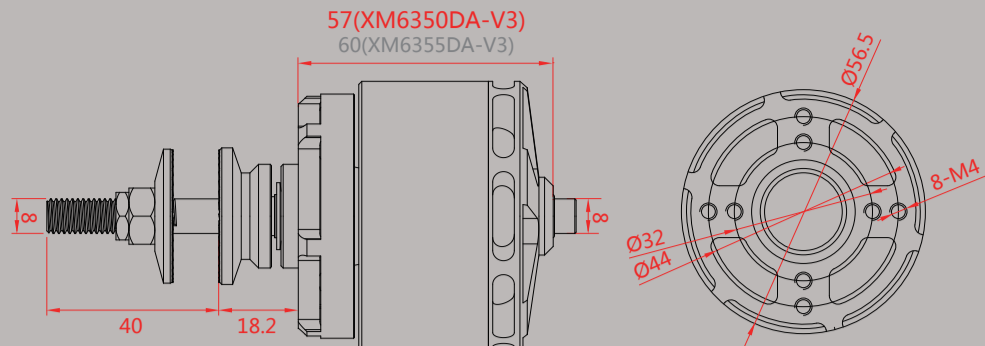


XM6350DA-V3



Specification

3rd Generation DA Series for F3A competition	XM6350DA-12	XM6350DA-14
Item NO. (商品编码)	51439	51438
RPM/V (KV) (KV值)	220	200
Weight w/o accessories(g) (重量)	525	525
Diameter(mm) (直径)	63.0	63.0
Length (mm) (长度)	57.0	57.0
Length w/ propeller adapter (mm) (螺旋桨配置长度)	74.5	74.5
Diameter of Shaft(mm) (轴径)	8	8
Slots,Poles (极数)	12N14P	12N14P
Motor mounting holes [Pitch, Size] (mm) (马达安装孔距)	(A)32mm, 4-M4 (B)44mm, 4-M4	(A)32mm, 4-M4 (B)44mm, 4-M4
Idle Current(Io) @10V(A) (空载电流)	0.9	0.7
Resistance(Ri)(mOhm) (电阻)	34	43
Nominal Voltage(V) (额定电压)	30-42V, 10S Lipo	30-42V, 10S Lipo
Bursts current(A)[15s] (最大电流)	84	77
Peak power(W)[15s] (峰值功率)	3100	2850
Cruising power(W)[30 mins] (巡航功率)	1720	1560
Input connector (输入连接器)	4mm GC	4mm GC
Recommended ESC (调速器)	XC10036HV V2 w/ firmware build V3.02	XC10036HV V2 w/ firmware build V3.02
Propeller (螺旋桨配置)	CF 20x13, APC 20x10E	CF 20x14, 21x13, APC 20x10E
One piece steel shaft (一根钢轴)	Yes	Yes
Propeller adapters (螺旋桨适配器)	Yes (w/ dual nut)	Yes (w/ dual nut)
Centrifugal fan (离心式风扇设计)	Yes	Yes
Dynamic balanced rotor (转子动平衡)	Yes (two-sided)	Yes (two-sided)
Heavy duty design (大负载设计)	Yes	Yes
Water & dust proof (防水防尘)	Yes (IP34)	Yes (IP34)
Lightened Design (轻量化)	Yes	Yes
Rear support point (后部支撑点)	Yes (D8x5mm)	Yes (D8x5mm)
Maintenance free (免维护)	Yes	Yes
Maximum weight of F3A/Freestyle airplane(kg) (最大F3A/其他飞机重)	5.4	4.9
Maximum weight of UAV airplane(kg) (最大无人机重量)	8.0	7.3
Applications (应用)	Latest design for today top composite F3A models	Lower RPM for to spin a larger propeller

XM6350DA (220KV)

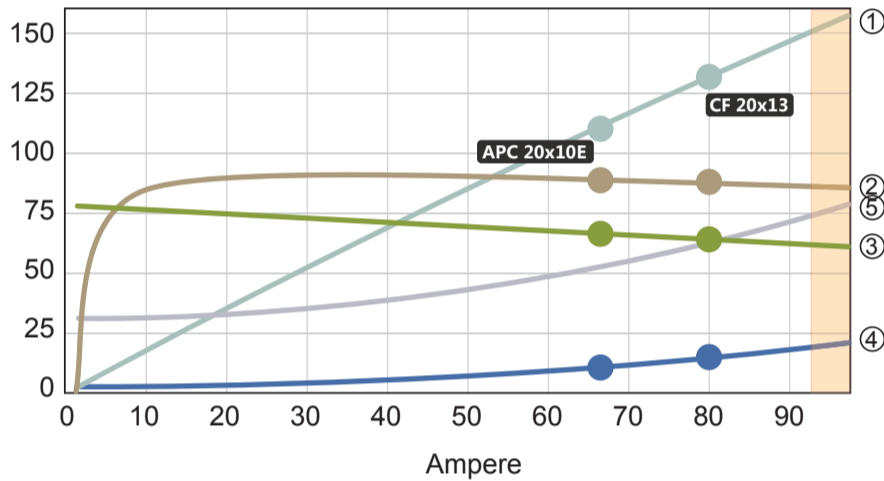
Motor @ Optimum Efficiency

最佳效率

Current(电流):	33.94A
Voltage(电压):	35.5V
Revolutions(转速):	7292rpm
Electric Power(输入功率):	1204.7W
Mech. Power(输出功率):	1116.9W
Efficiency(效率):	92.7%

- ① el. Power [in 20W]
- ② Efficiency [%]
- ③ max. Revolutions [in 100rpm]
- ④ waste Power [W]
- ⑤ Motor Case Temp. [°C]

Motor Characteristic at Full Throttle



Voltage (V)	Propeller	Propeller (RPM)	Throttle (%)	Current (DC) (A)	Volage (DC) (V)	el. Power (W)	Efficiency (%)	Thrust (g)	Spec. Thrust (g/W)
37V (10S LIPO)	CF 20x13	1200	16	0.6	37	21	74.1	403	19.2
		1600	21	1.2	36.9	44.8	82.3	716	16
		2000	26	2.3	36.9	83.3	86.5	1119	13.4
		2400	32	3.8	36.8	140.3	88.7	1612	11.5
		2800	38	6	36.7	219.7	90	2194	10
		3200	43	8.9	36.6	325.6	90.6	2866	8.8
		3600	49	12.7	36.5	462.1	90.9	3627	7.8
		4000	55	17.5	36.3	633.5	91	4477	7.1
		4400	62	23.5	36	844.2	90.9	5418	6.4
		4800	68	30.9	35.7	1098.4	90.7	6447	5.9
	5200	75	39.8	35.3	1400.7	90.4	7567	5.4	
	5600	83	50.6	34.9	1755.6	90.1	8776	5	
	6000	90	63.5	34.3	2167.9	89.7	10074	4.6	
	6400	99	78.9	33.7	2642.3	89.3	11462	4.3	
	6450	100	81.2	33.6	2712.3	89.2	11643	4.3	
	APC 20x10E	1500	19	0.8	37	30.3	77.2	484	16
		2000	26	1.8	36.9	65.6	84.4	861	13.1
		2500	33	3.3	36.9	122.9	88.1	1345	10.9
		3000	40	5.7	36.8	207.9	90	1937	9.3
		3500	47	8.9	36.6	326.6	90.9	2637	8.1
4000		54	13.3	36.4	485	91.4	3444	7.1	
4500		62	19.1	36.2	689.3	91.6	4359	6.3	
5000		70	26.4	35.9	945.9	91.5	5381	5.7	
5500		78	35.7	35.5	1261.2	91.4	6512	5.2	
6000		87	47.1	35	1641.7	91.1	7749	4.7	
6500	96	61.1	34.4	2094.2	90.8	9095	4.3		
6694	100	67.5	34.2	2295.4	90.6	9647	4.2		

XM6350DA (200KV)

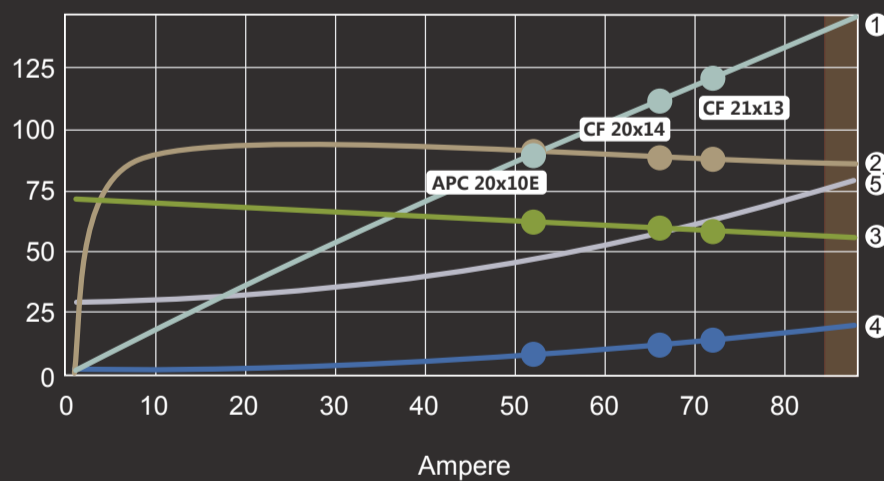
Motor @ Optimum Efficiency

最佳效率

Current(电流):	26.05A
Voltage(电压):	35.85V
Revolutions(转速):	6704rpm
Electric Power(输入功率):	933.9W
Mech. Power(输出功率):	868.3W
Efficiency(效率):	93%

- ① el. Power [in 20W]
- ② Efficiency [%]
- ③ max. Revolutions [in 100rpm]
- ④ waste Power [W]
- ⑤ Motor Case Temp. [°C]

Motor Characteristic at Full Throttle



Voltage (V)	Propeller	Propeller (RPM)	Throttle (%)	Current (DC) (A)	Volage (DC) (V)	el. Power (W)	Efficiency (%)	Thrust (g)	Spec. Thrust (g/W)	
37V (10S LIPO)	CF 20x14	1200	17	0.6	37	21.5	77.8	434	20.1	
		1600	23	1.3	36.9	46.9	84.6	771	16.4	
		2000	29	2.4	36.9	88.1	88	1205	13.7	
		2400	35	4.1	36.8	149.4	89.7	1736	11.6	
		2800	41	6.4	36.7	235	90.6	2363	10.1	
		3200	48	9.6	36.6	349.5	90.9	3086	8.8	
		3600	55	13.7	36.4	497.3	91	3906	7.9	
		4000	61	18.9	36.2	683.1	90.9	4822	7.1	
		4400	68	25.5	35.9	911.7	90.6	5834	6.4	
		4800	76	33.5	35.6	1187.9	90.3	6943	5.8	
		5200	84	43.3	35.2	1516.8	89.9	8149	5.4	
		5600	92	55.1	34.7	1903.3	89.5	9451	5	
		5950	100	67.5	34.2	2296.3	89	10668	4.6	
		CF 21x13	1200	17	0.6	37	23.8	79.4	466	19.6
			1600	23	1.4	36.9	52.4	85.6	829	15.8
	2000		29	2.7	36.9	99	88.5	1296	13.1	
	2400		35	4.6	36.8	168.3	89.9	1866	11.1	
	2800		42	7.3	36.7	265.5	90.5	2540	9.6	
	3200		48	10.9	36.5	395.6	90.7	3317	8.4	
	3600		55	15.6	36.3	563.8	90.6	4198	7.4	
	4000		62	21.6	36.1	775.5	90.3	5183	6.7	
	4400		69	29.1	35.8	1036.3	90	6272	6.1	
	4800		77	38.4	35.4	1351.7	89.5	7464	5.5	
	5200		85	49.7	34.9	1727.7	89.1	8759	5.1	
	5600		94	63.5	34.3	2170.1	88.6	10159	4.7	
	5843		100	73.4	33.9	2477.4	88.2	11058	4.5	
	APC 20x10E		1600	23	0.9	37	34.9	81.2	551	15.8
			2000	29	1.7	36.9	64.5	86	861	13.4
		2400	35	2.9	36.9	108	88.6	1240	11.5	
		2800	41	4.6	36.8	168.7	90.2	1688	10	
3200		47	6.8	36.7	249.3	91	2204	8.8		
3600		53	9.7	36.6	353.2	91.5	2790	7.9		
4000		60	13.3	36.4	483.3	91.7	3444	7.1		
4400		66	17.8	36.3	642.9	91.8	4167	6.5		
4800		73	23.2	36	835.2	91.7	4960	5.9		
5200		80	29.8	35.7	1063.6	91.6	5821	5.5		
5600		88	37.7	35.4	1331.4	91.4	6750	5.1		
6000		96	47	35	1642	91.1	7749	4.7		
6216		100	52.9	34.8	1831.9	90.9	8318	4.5		